



EZ-LIGHT™ Indicators – 85-130V ac

AC-operated, multi-color, general-purpose indicators



Contact Factory for more information.

Features

- Rugged, cost-effective and easy-to-install indicators available in K50 or K80 housing style
- Illuminated dome provides easy-to-see operator guidance and indication of equipment status
- Compact devices are completely self-contained — no controller needed
- 85 to 130V ac operation
- Displays three colors
- Immune to EMI and RFI interference

Models

Model	Construction	Connection*	LED Function**	Inputs
K50LGRYA120Q	50 mm dome/ 30 mm mount polycarbonate	5-pin Micro QD	3 Color: Green, Red, Yellow	85–130V ac
K80LGRYA120Q	50 mm dome/ Flat or DIN-mount polycarbonate			

* Integral QD models are listed. For 150 mm PVC pigtail with QD, replace **Q** with **QP** in model number (example, **K50LGRYA120QP**). For 2 m (6.5') PVC cable, omit suffix **Q** from model number (example, **K50LGRYA120**). A model with a QD requires a mating cable (see page 3)

** Contact factory for other colors and color combinations.

WARNING . . . Not To Be Used for Personnel Protection

Never use these products as sensing devices for personnel protection. Doing so could lead to serious injury or death.

These sensors do NOT include the self-checking redundant circuitry necessary to allow their use in personnel safety applications. A sensor failure or malfunction can cause either an energized or de-energized sensor output condition. Consult your current Banner Safety Products catalog for safety products which meet OSHA, ANSI and IEC standards for personnel protection.

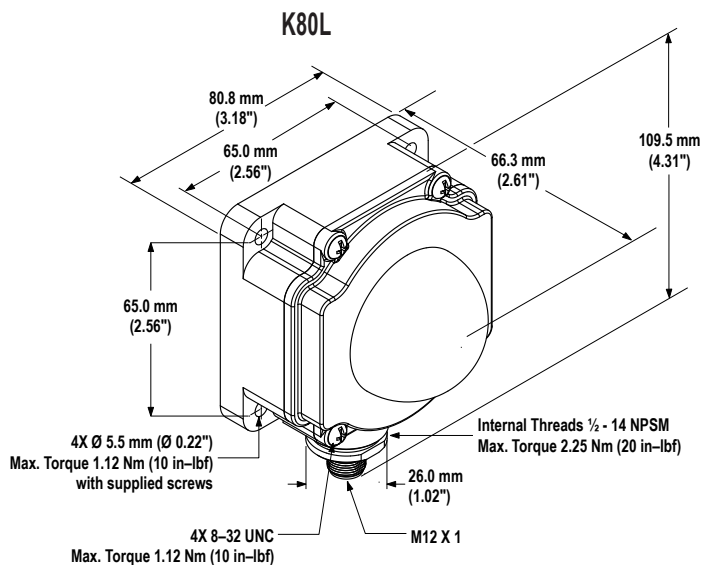
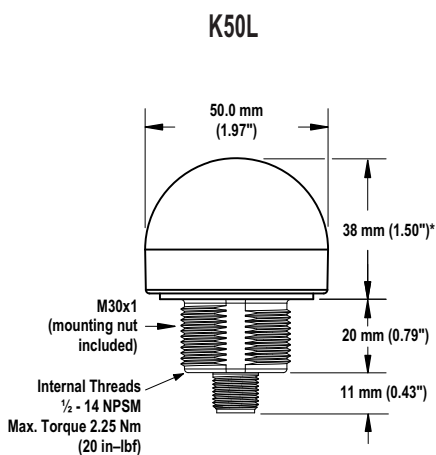


EZ-LIGHT™ Indicators - 85-130V ac

Specifications

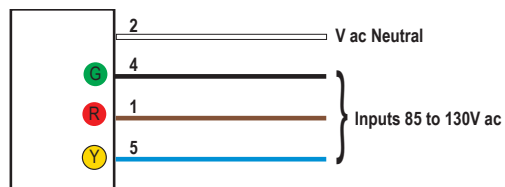
Supply Voltage and Current	85 to 130V ac @ 15 mA max.
Indicators	LEDs are independently selected: Green, Red, Yellow
Environmental Rating	K50L Models: Fully encapsulated, IEC IP67 K80L Models: IEC IP67 (encapsulated electronics)
Connections	Integral 5-pin Micro-style QD, 150 mm PVC pigtail with QD, or 2 m (6.5') integral cable, depending on model K80L Models: Terminal-wired models for use with bulk cable available
Operating Conditions	-40° to +50° C (-40° to +122° F)
Certifications	Approvals are pending

Dimensions



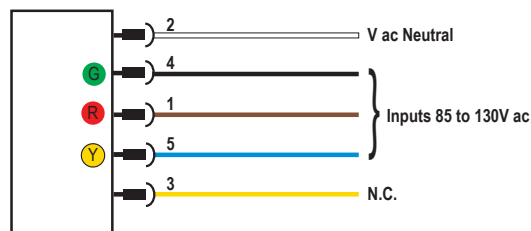
Hookups

Cable Models



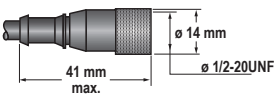
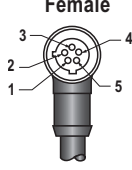
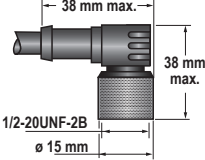
- 1 = Brown
- 2 = White
- 3 = Yellow
- 4 = Black
- 5 = Blue

QD Models




Accessories

Quick-Disconnect (QD) Cables




Style	Style	Model	Length	Dimensions	Pinout
5-Pin Micro-Style Cables with Shield	Straight	MQVR3S-506 MQVR3S-515 MQVR3S-530	2 m (6.5') 5 m (15') 9 m (30')		<p>Female</p>  <p>1 = Brown 2 = White 3 = Yellow 4 = Black 5 = Blue</p>
	Right-Angle	MQVR3S-506RA MQVR3S-515RA MQVR3S-530RA	2 m (6.5') 5 m (15') 9 m (30')		

Mounting Brackets






K80L

	<ul style="list-style-type: none"> • Black reinforced thermoplastic • Bracket for mounting on 35 mm DIN rail 	SMBDX80DIN
---	--	-------------------

K50L

	<ul style="list-style-type: none"> • 12-ga. stainless steel right-angle mounting bracket with curved slot for versatile orientation • Clearance for M6 (1/4") hardware 	SMB30A
	<ul style="list-style-type: none"> • 30 mm 12-ga. stainless steel bracket with curved mounting slots for versatile orientation • Clearance for M6 (1/4") hardware • Articulation slots for 90°+ rotation 	SMB30MM
	<ul style="list-style-type: none"> • 12-ga. 300 series stainless steel • Right-angle SMBAMS series bracket with 30 mm hole for mounting sensors • Articulation slots for 90°+ rotation 	SMBAMS30RA

EZ-LIGHT™ Indicators - 85-130V ac

K50L (continued)		
	<ul style="list-style-type: none"> • 30 mm swivel bracket • Black reinforced thermoplastic polyester • Includes stainless steel mounting and swivel locking hardware 	SMB30SC
	<ul style="list-style-type: none"> • 12-ga. 300 series stainless steel • Right-angle bracket with 30 mm hole for mounting sensors • Attachment clamp allows 360° rotation • Threaded rod through-mounts to mounting surface 	SMB30FA
	<ul style="list-style-type: none"> • 12-ga. 300 series stainless steel • Flat SMBAMS series bracket with 30 mm hole for mounting sensors • Articulation slots for 90°+ rotation 	SMBAMS30P
	<ul style="list-style-type: none"> • V-clamp, straight bracket and fasteners for mounting sensors to pipe or extrusions • Clamp accommodates 28 mm dia. tubing or 1" square extrusions • 30 mm hole for mounting sensors 	SMB30FVK
	<ul style="list-style-type: none"> • V-clamp, right-angle bracket and fasteners for mounting sensors to pipe or extrusions • Clamp accommodates 28 mm dia. tubing or 1" square extrusions • 30 mm hole for mounting sensors 	SMB30RAVK



WARRANTY: Banner Engineering Corp. warrants its products to be free from defects for one year. Banner Engineering Corp. will repair or replace, free of charge, any product of its manufacture found to be defective at the time it is returned to the factory during the warranty period. This warranty does not cover damage or liability for the improper application of Banner products. This warranty is in lieu of any other warranty either expressed or implied.